

RAB LIGHTING

WPLED52



JOB NAME: _____
 DATE: _____
 TYPE: _____

DESCRIPTION

LED 52 Watt Wallpacks

SPECIFICATIONS

UL Listing

Suitable for wet locations as a downlight.

LEDs

Four (4) multi-chip, 13W high-output, long-life LEDs

Drivers

Two drivers, constant current, 720mA, Class 2, 100 - 277V, 50 - 60 Hz, 100 - 277VAC .8 Amps.

Fixture Efficacy

57 Lumens per Watt

Ambient Temperature

Suitable for use in 40C ambient temperatures.

Surge Protection

6 KV

Cold Weather Starting

The minimum starting temperature is -40F/-40C

Heatsink

Cast aluminum thermal management system for optimal heat sinking. The WPLED is designed for cool operation, most efficient output and maximum LED life by minimizing LED junction temperature.

Housing

Precision die cast aluminum housing, lens frame.

Mounting

Die-cast aluminum wall bracket with (5) 1/2" conduit openings with plugs. Two-piece bracket with tether for ease of installation and wiring.

Arm

Die-cast aluminum with wiring access plate.

Color Stability

RAB LEDs exceed industry standards for chromatic stability.

Color Accuracy

67 CRI

Color Temperature (Nominal CCT)

5000k

Color Uniformity

RAB's range of CCT (Correlated color temperature) follows the guidelines of the American National Standard for Specifications for the Chromaticity of Solid State Lighting (SSL) Products, ANSI C78.377-2008.

Reflector

Hydroformed aluminum designed for maximum efficiency.

Gaskets

High temperature silicone.

Finish

Chip and fade resistant polyester powder coat finish.

Green Technology

WPLEDs are Mercury and UV free.

IESNA LM-79 & IESNA LM-80 Testing

RAB LED luminaires have been tested by an independent laboratory in accordance with IESNA LM-79 and 80, and have received the Department of Energy "Lighting Facts" label.

Replacement

The WPLED52 replaces 250W HID Wallpacks.

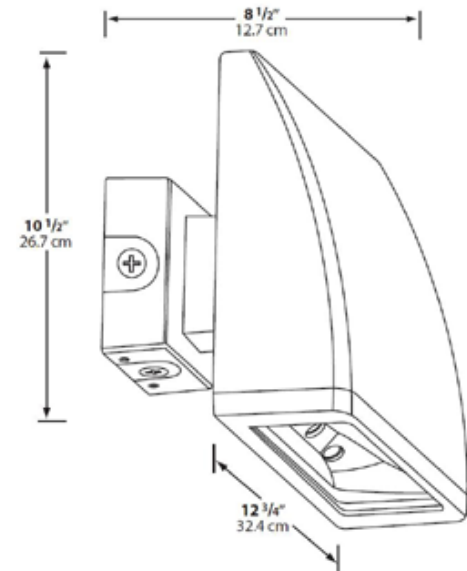
California Title 24

WPLED complies with California Title 24 building and electrical codes.

Warranty

RAB LED fixtures give you peace of mind because both the fixture and light engine components are backed by RAB's 5 Year Warranty. For more information,

DIMENSIONS



ORDERING INFORMATION

LED Lamp supplied with fixture	Total Watts	Lamp Type	Lamp Base	Ballast	Starting Amps/ Operating Amps				Input Watts	LAMP ANSI	Initial Lumens	Lamp Hours
					120V	208V	240V	277V				
	52	LED	Heat-sink	Constant Current	.8 / .8	.8 / .8	.8 / .8	.8 / .8	60.0	N/A	3429	50000
Factory Installed Options Add suffix to Catalog Number				Photocontrol for 277V (/PC2)								
												Photocontrol for 120V (/PC)

Note: Specifications may change without notice

RAB Lighting, Inc. • 170 Ludlow Ave • Northvale, NJ 07647 • Tel: 888 RAB-1000 • Fax: 888 RAB-1232 • www.rabweb.com
 © 2011